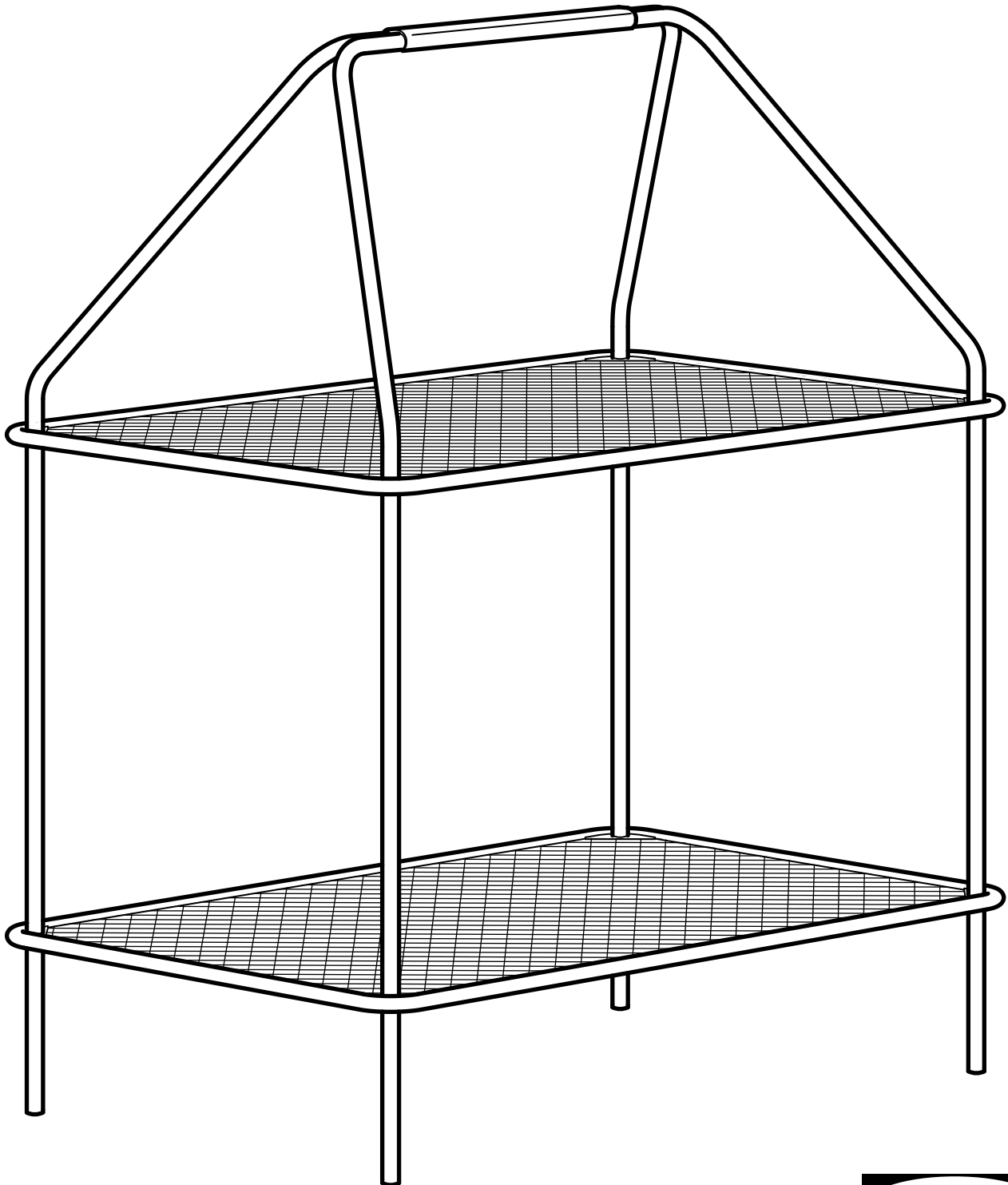
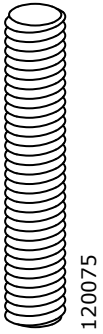
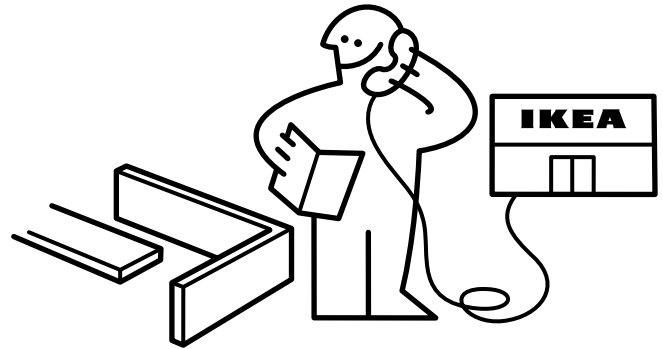
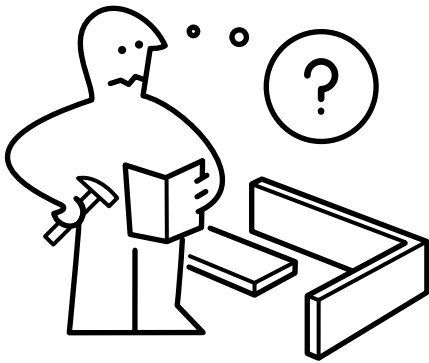
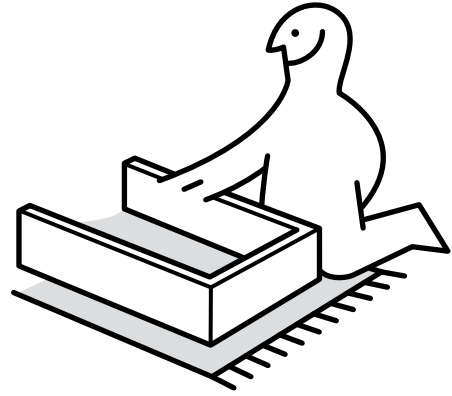
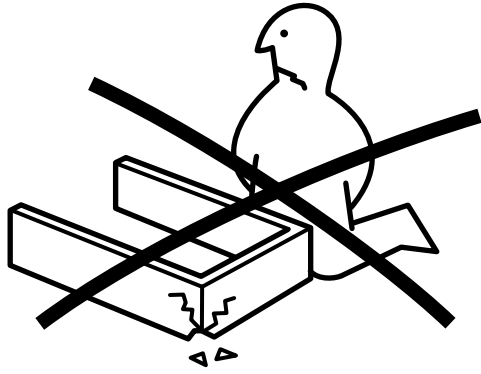


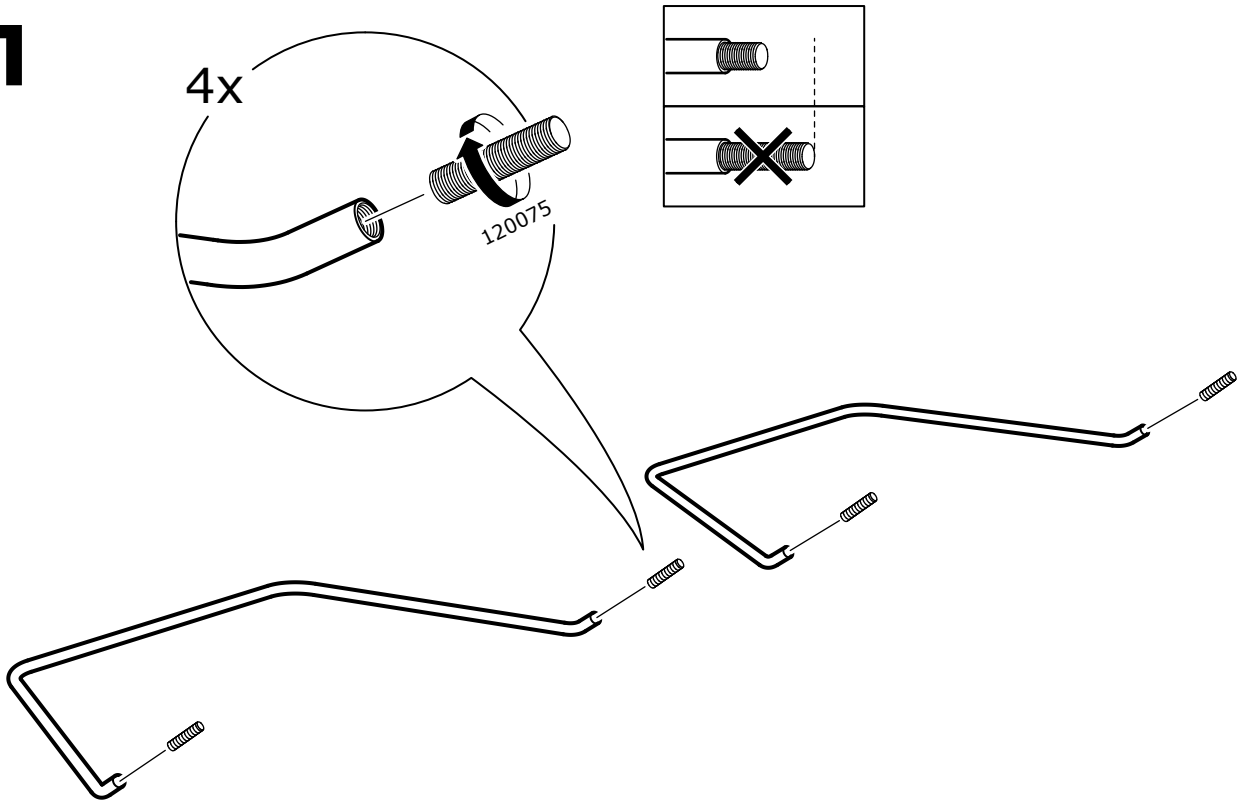
YPPERLIG



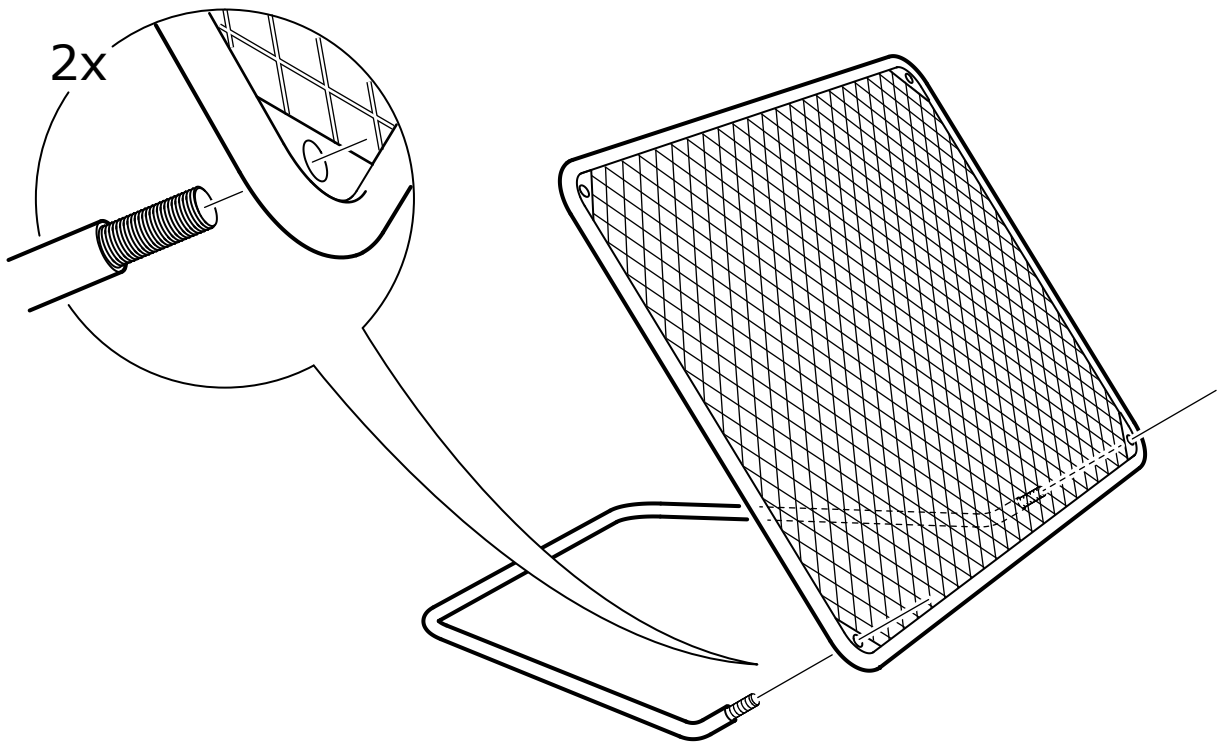


8x

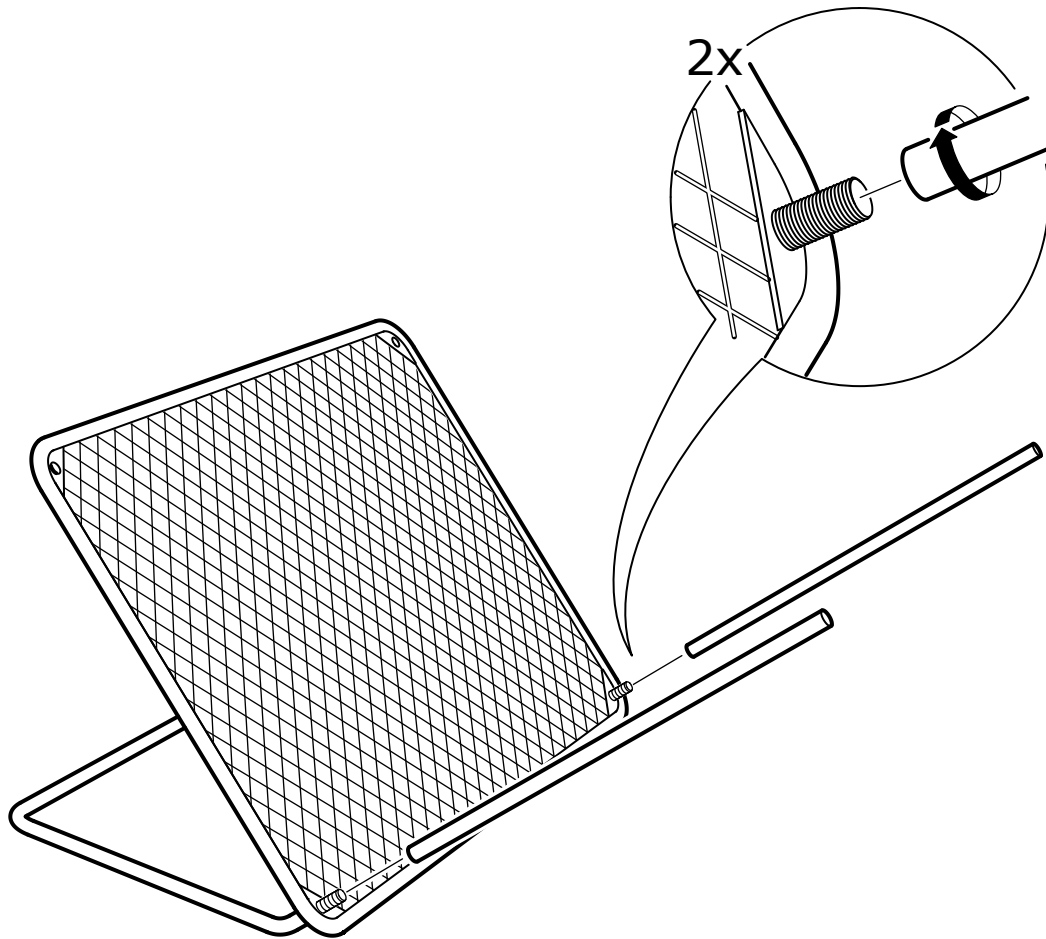
1



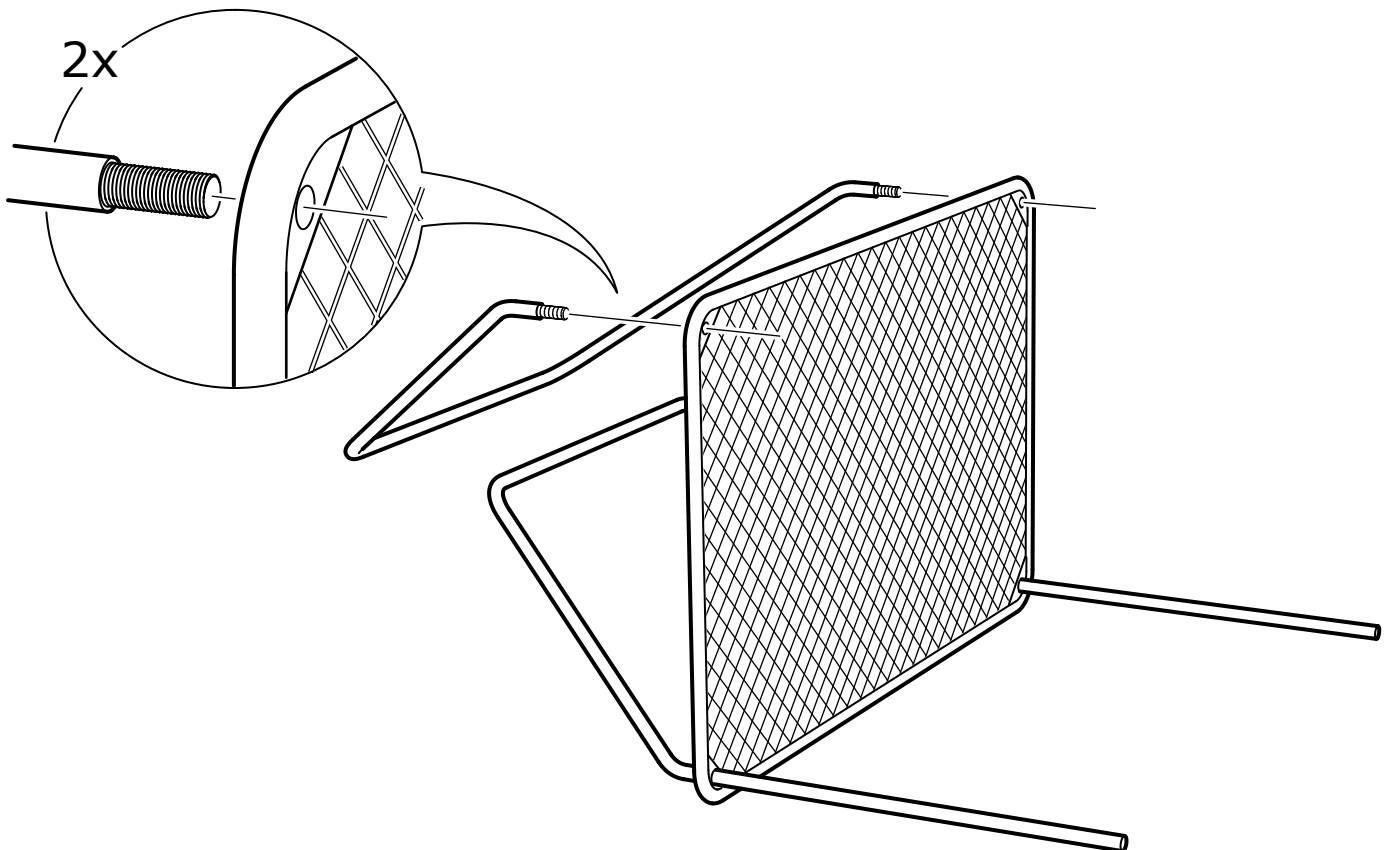
2



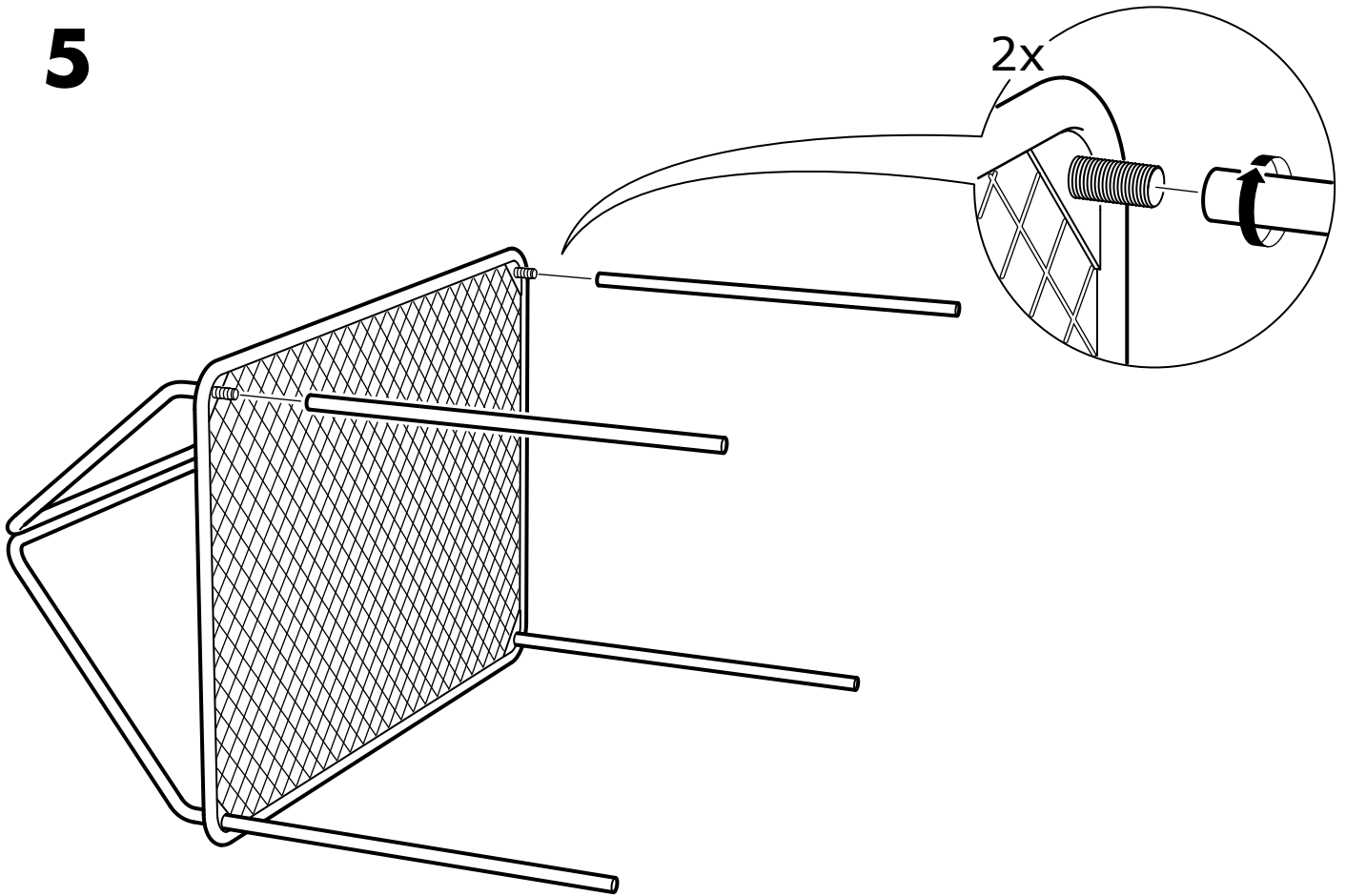
3



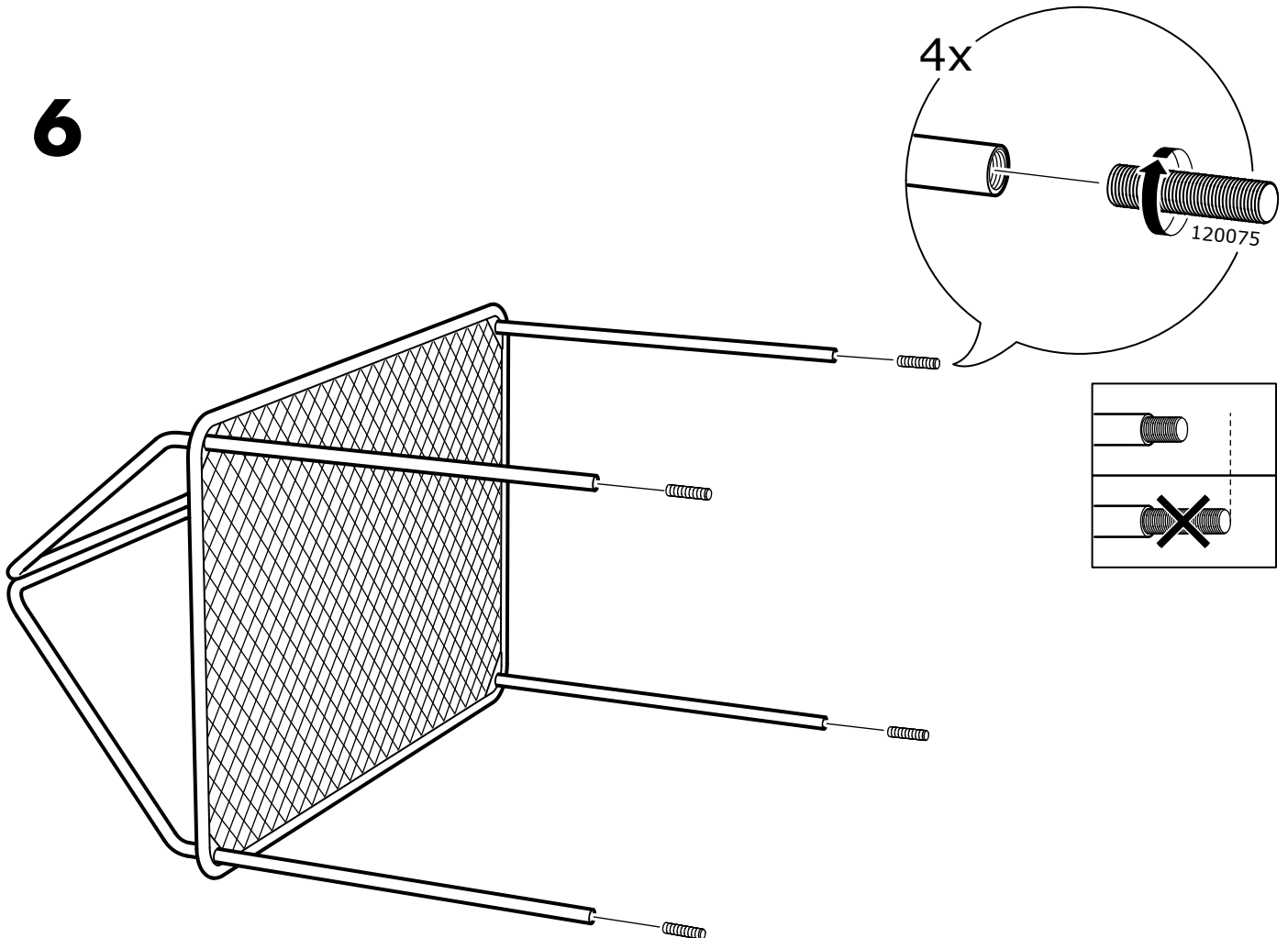
4



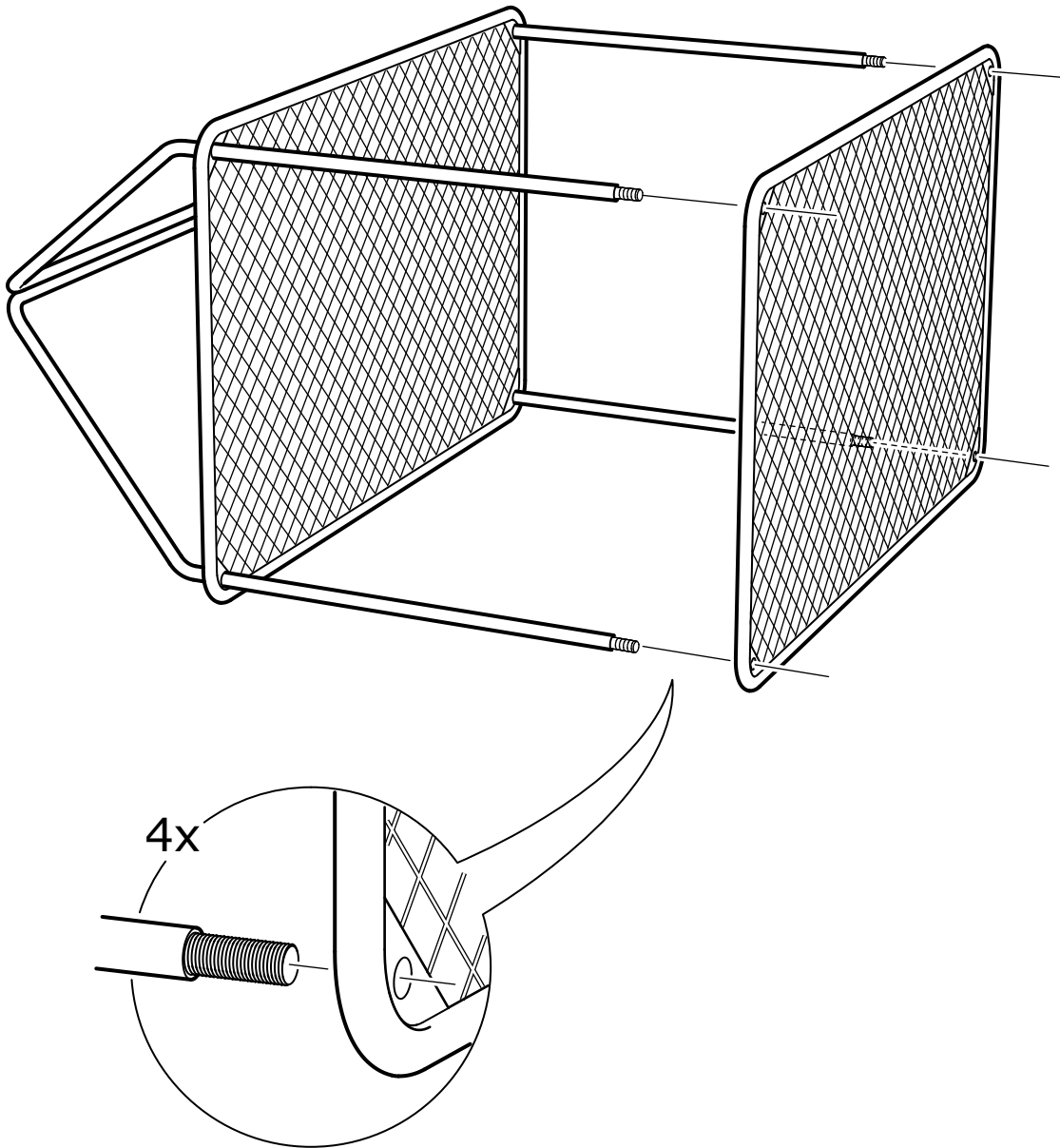
5



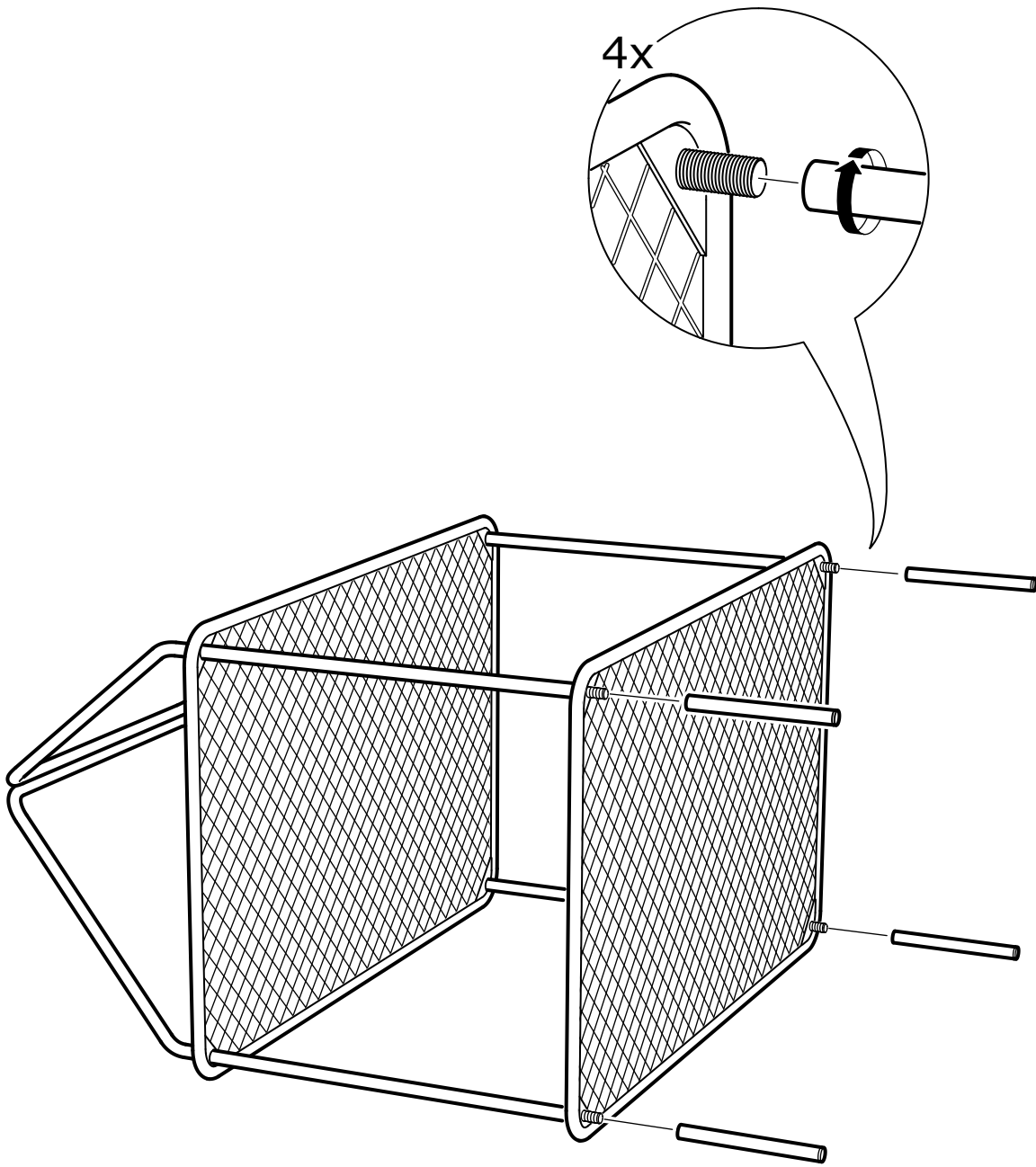
6



7



8



9

