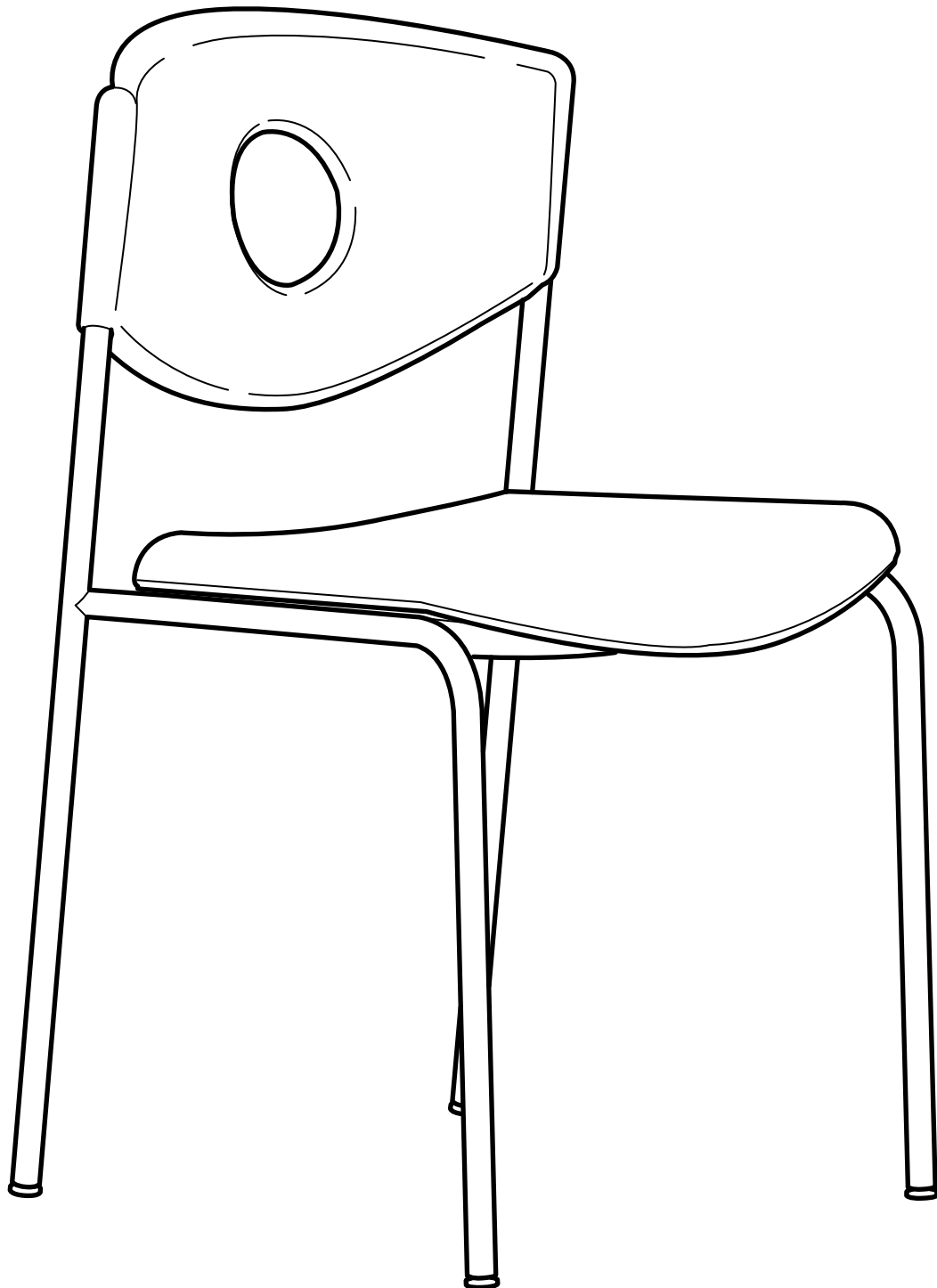
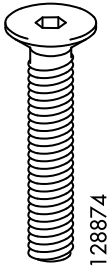
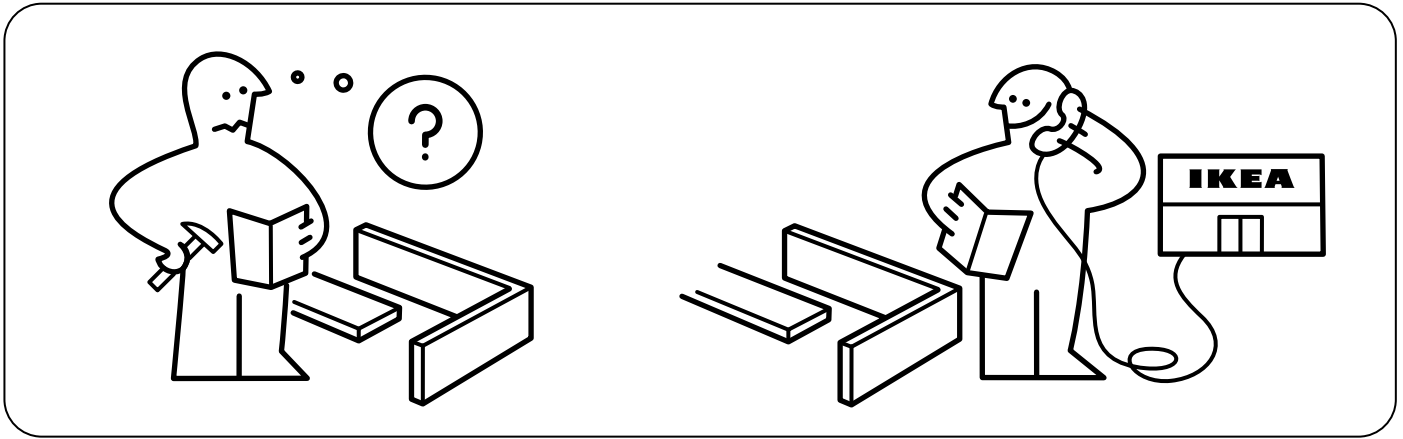


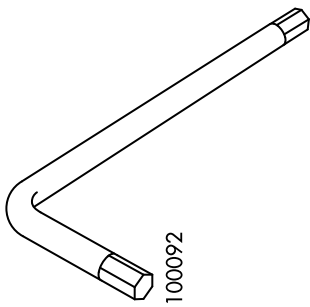
STOLJAN





128874

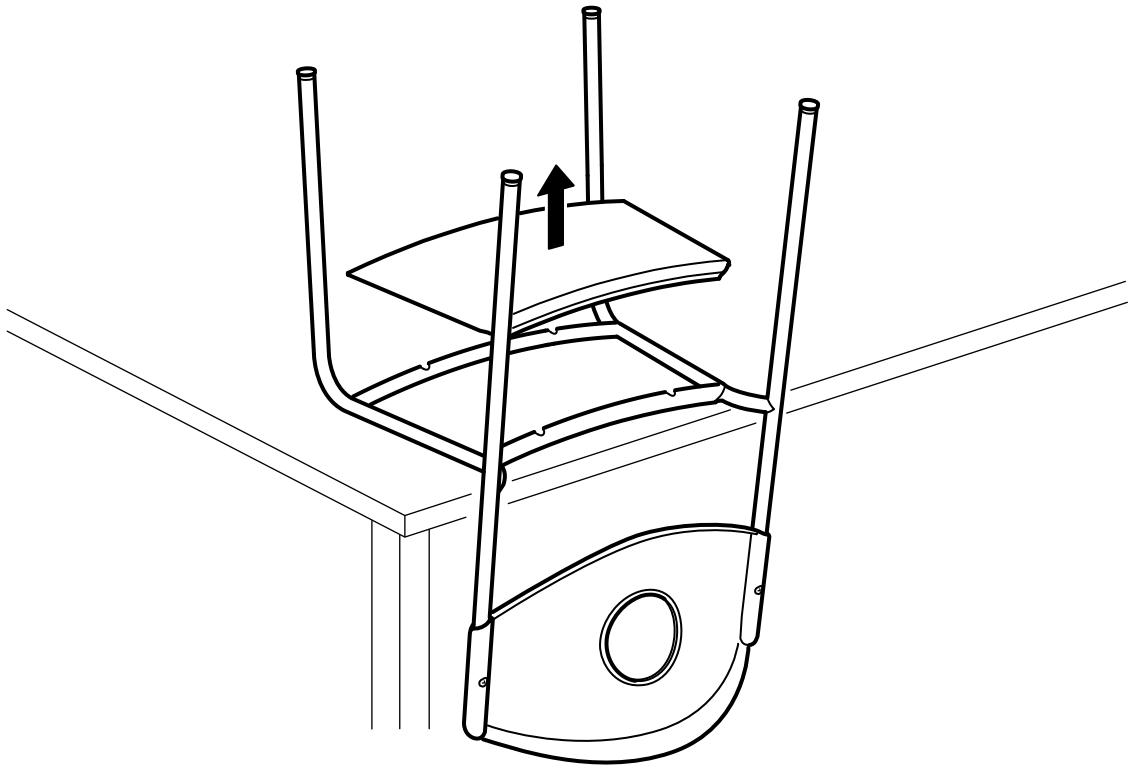
4x



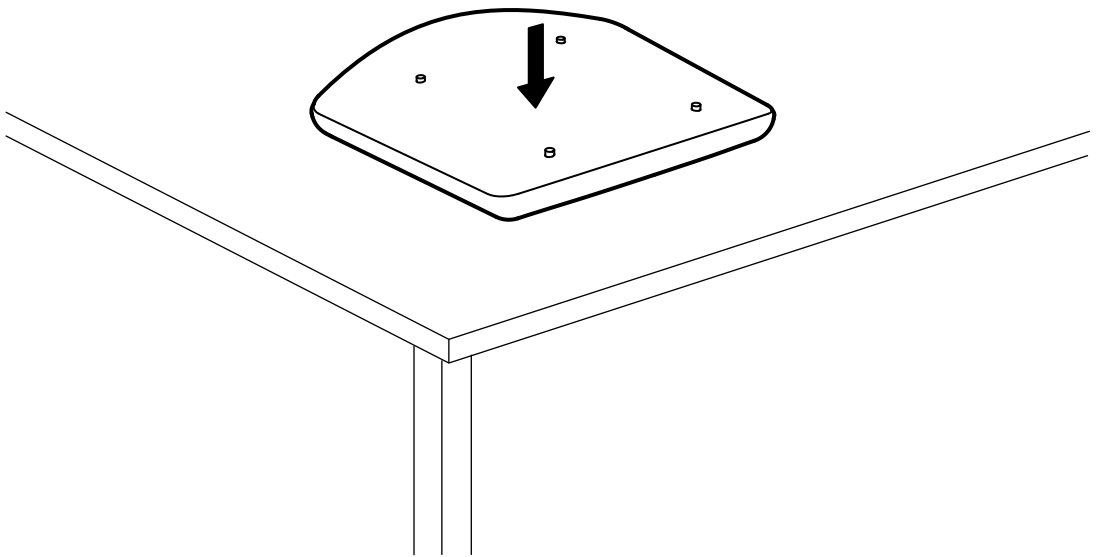
100092

1x

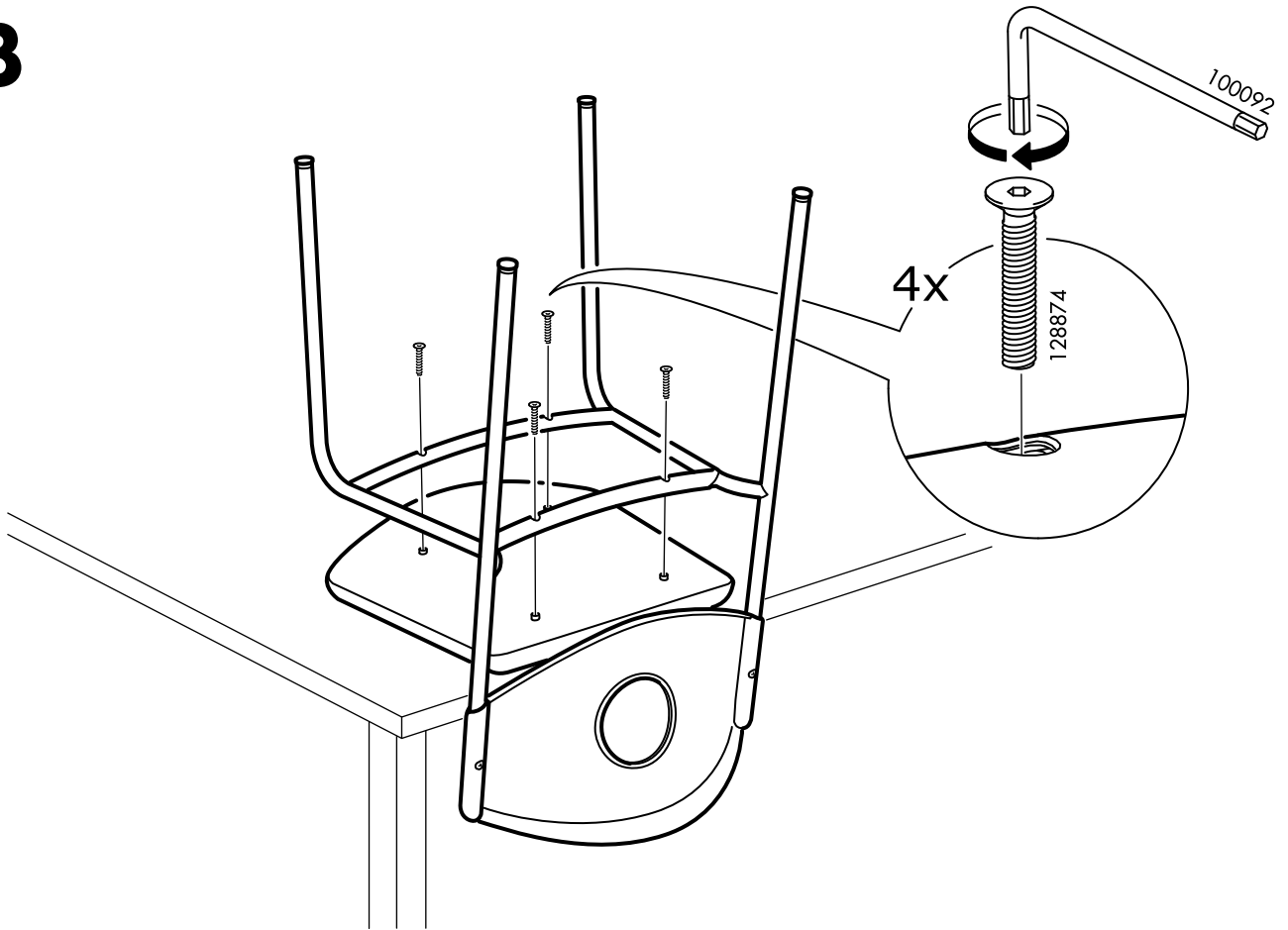
1



2



3



4

