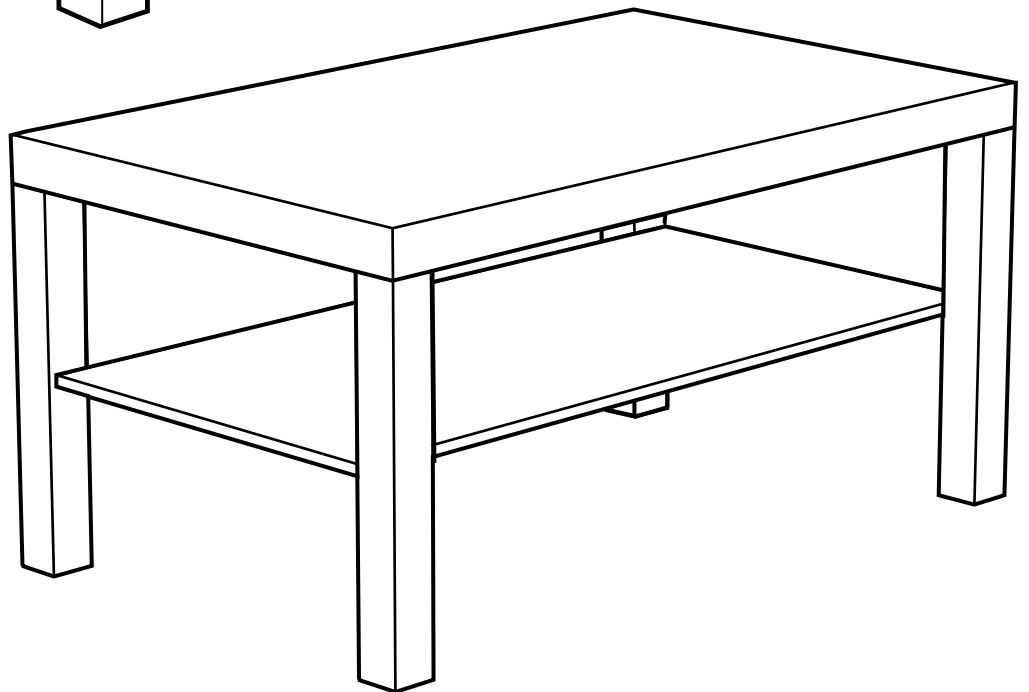
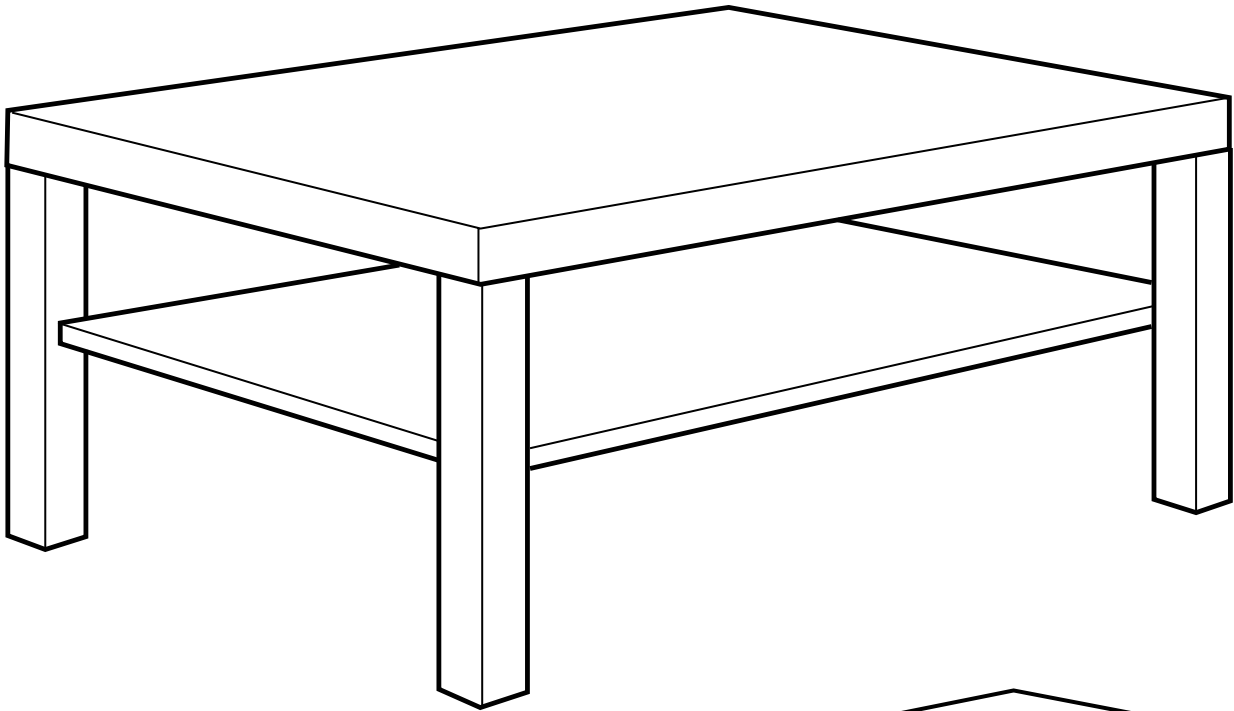
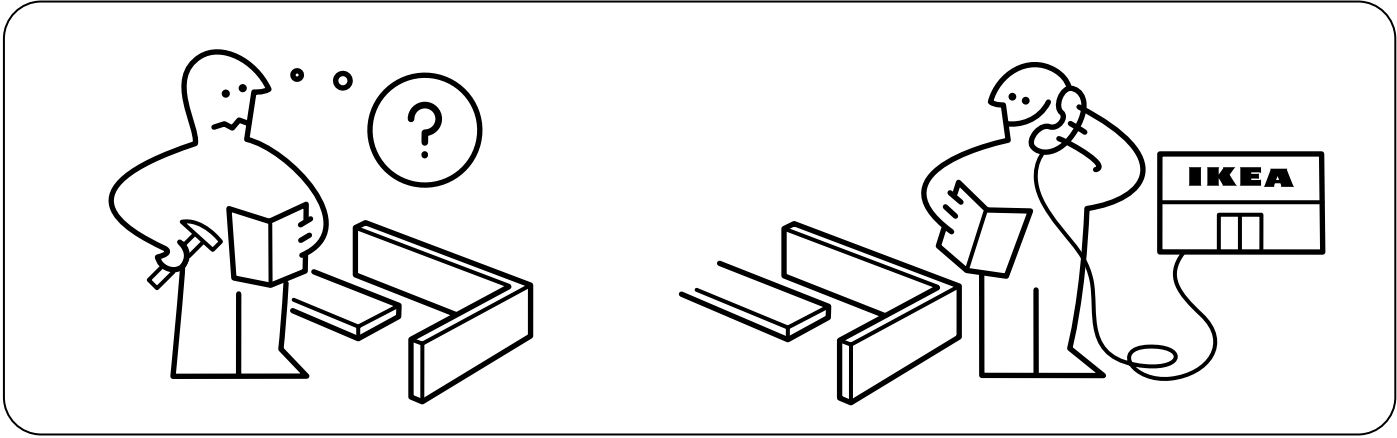
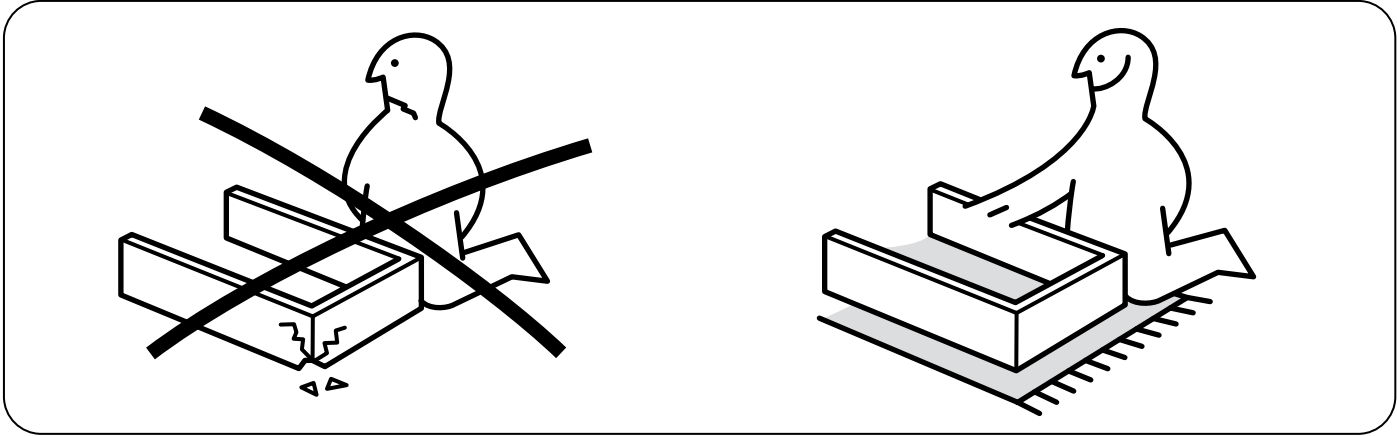
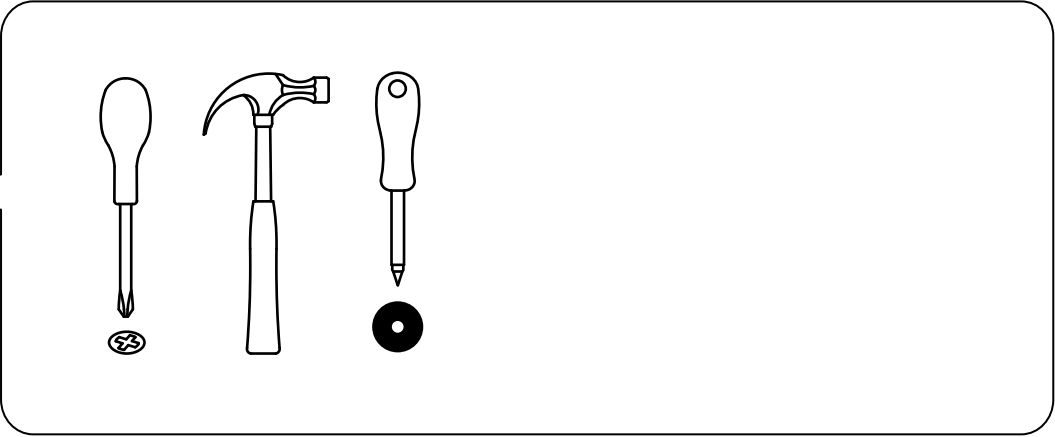
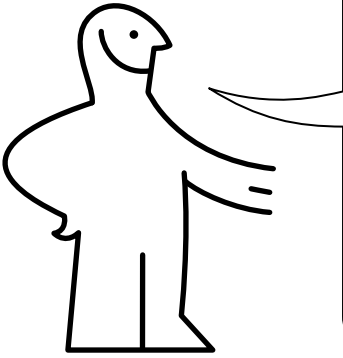
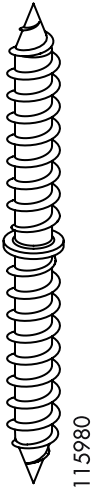


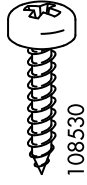
LACK



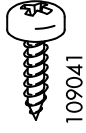




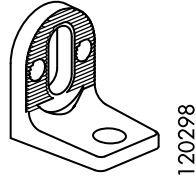
4x



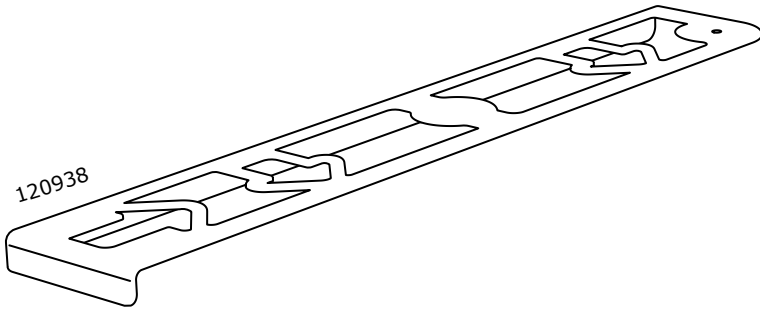
4x



4x

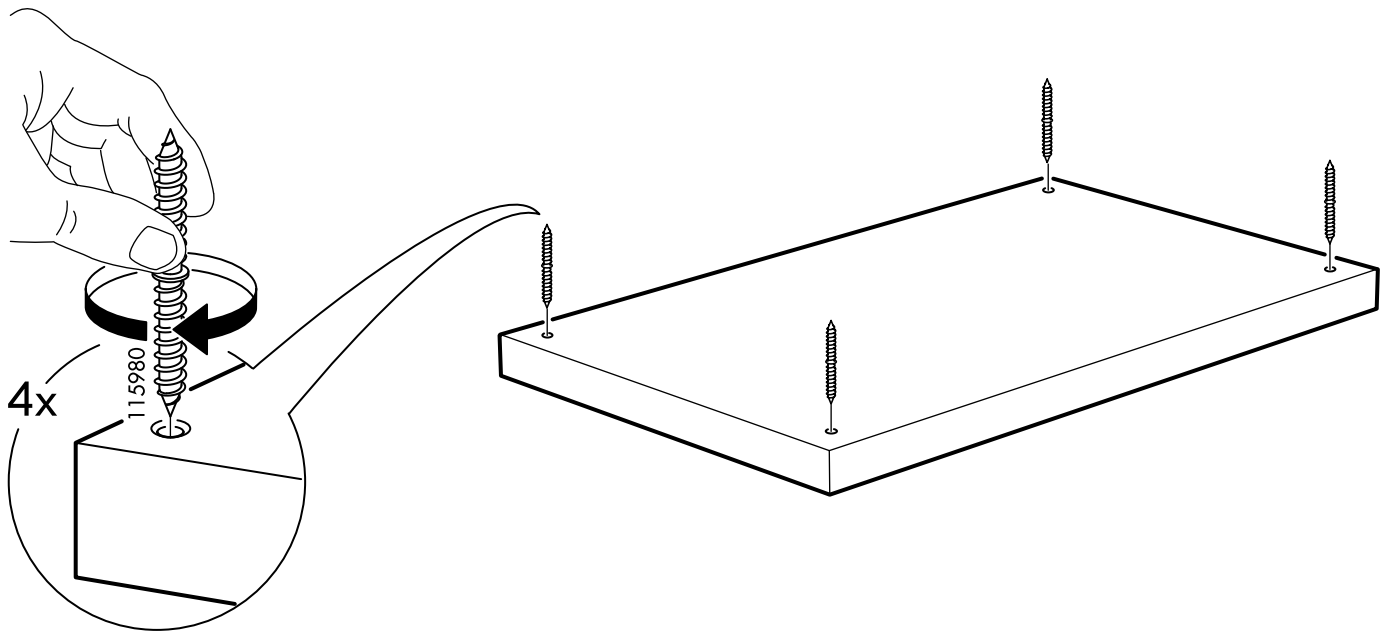


4x

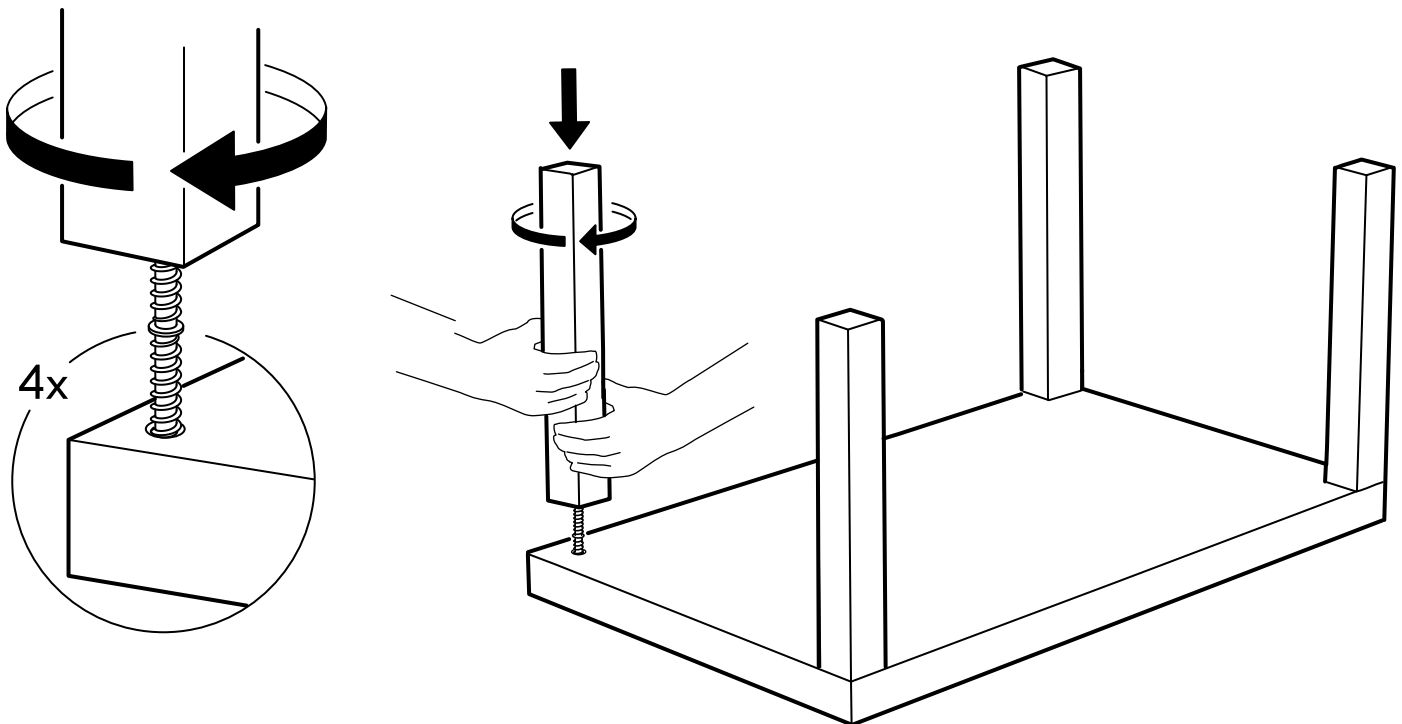


1x

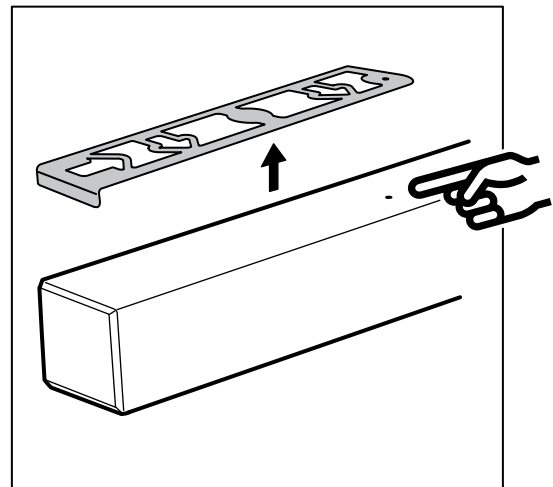
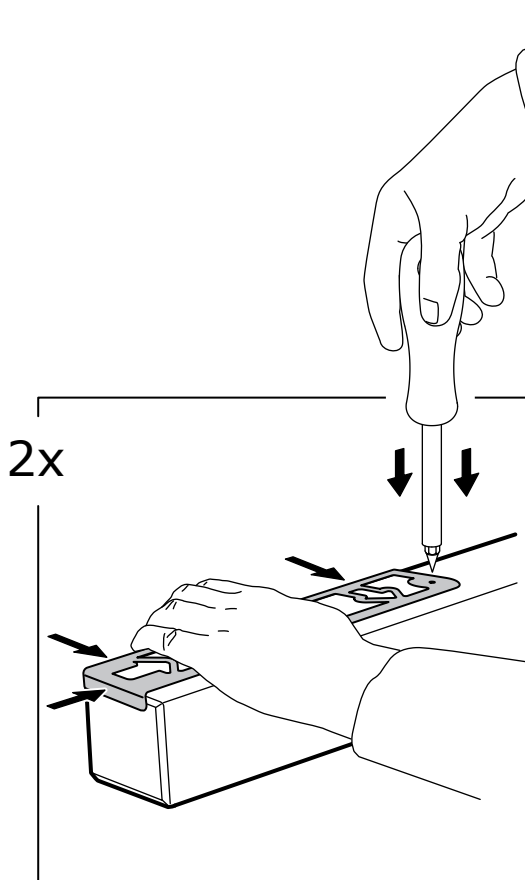
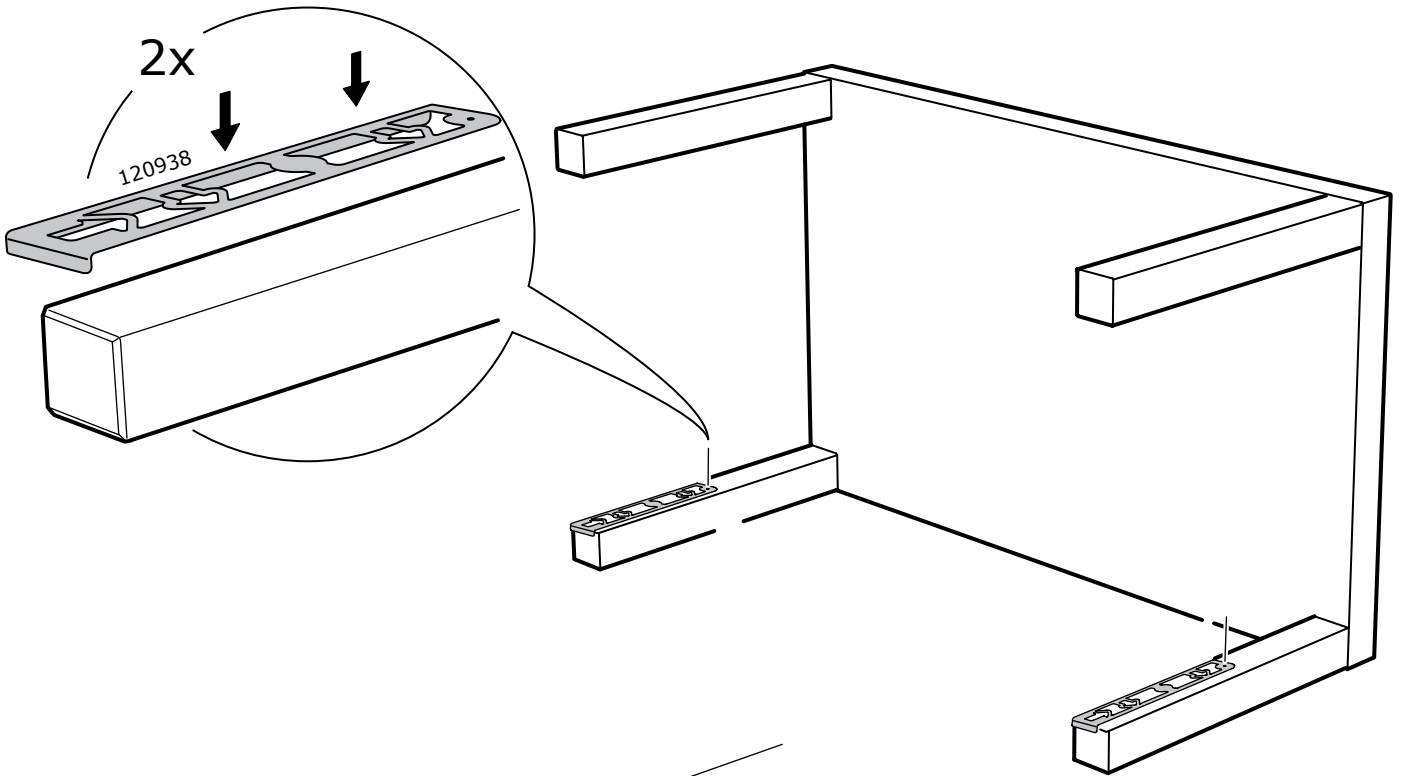
1



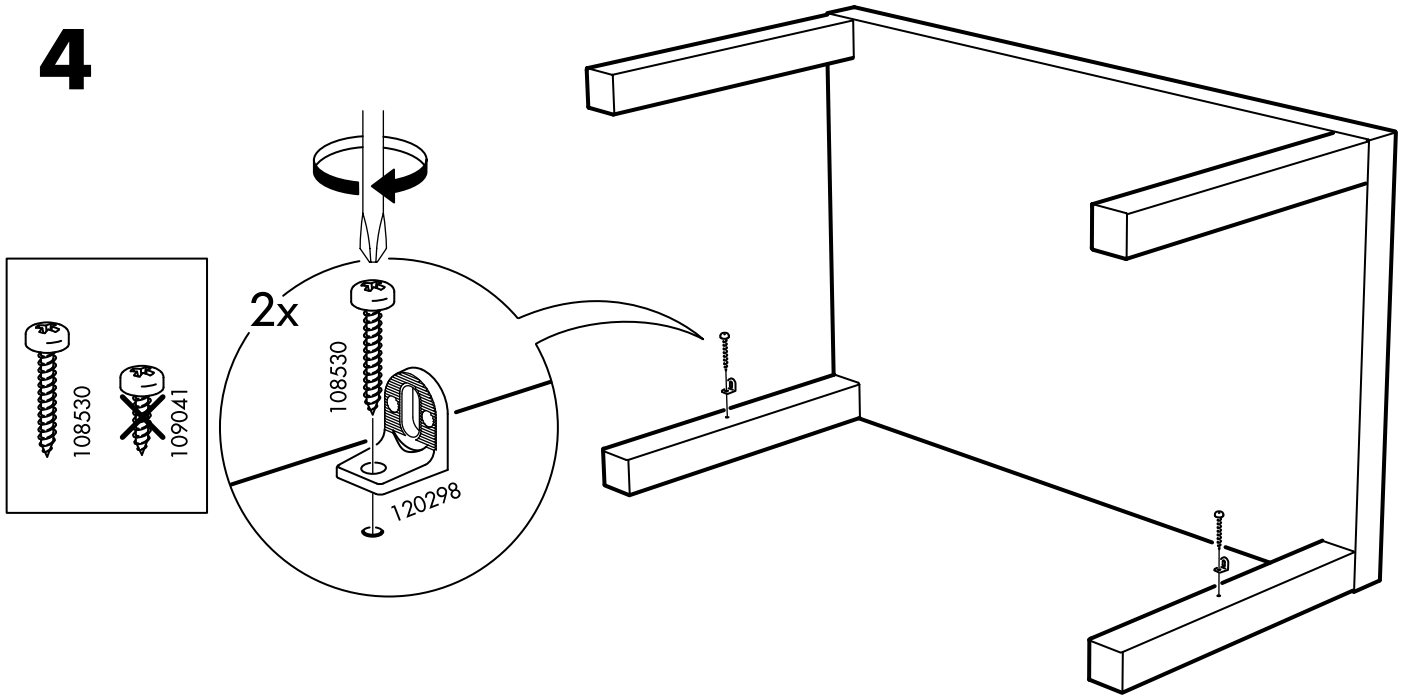
2



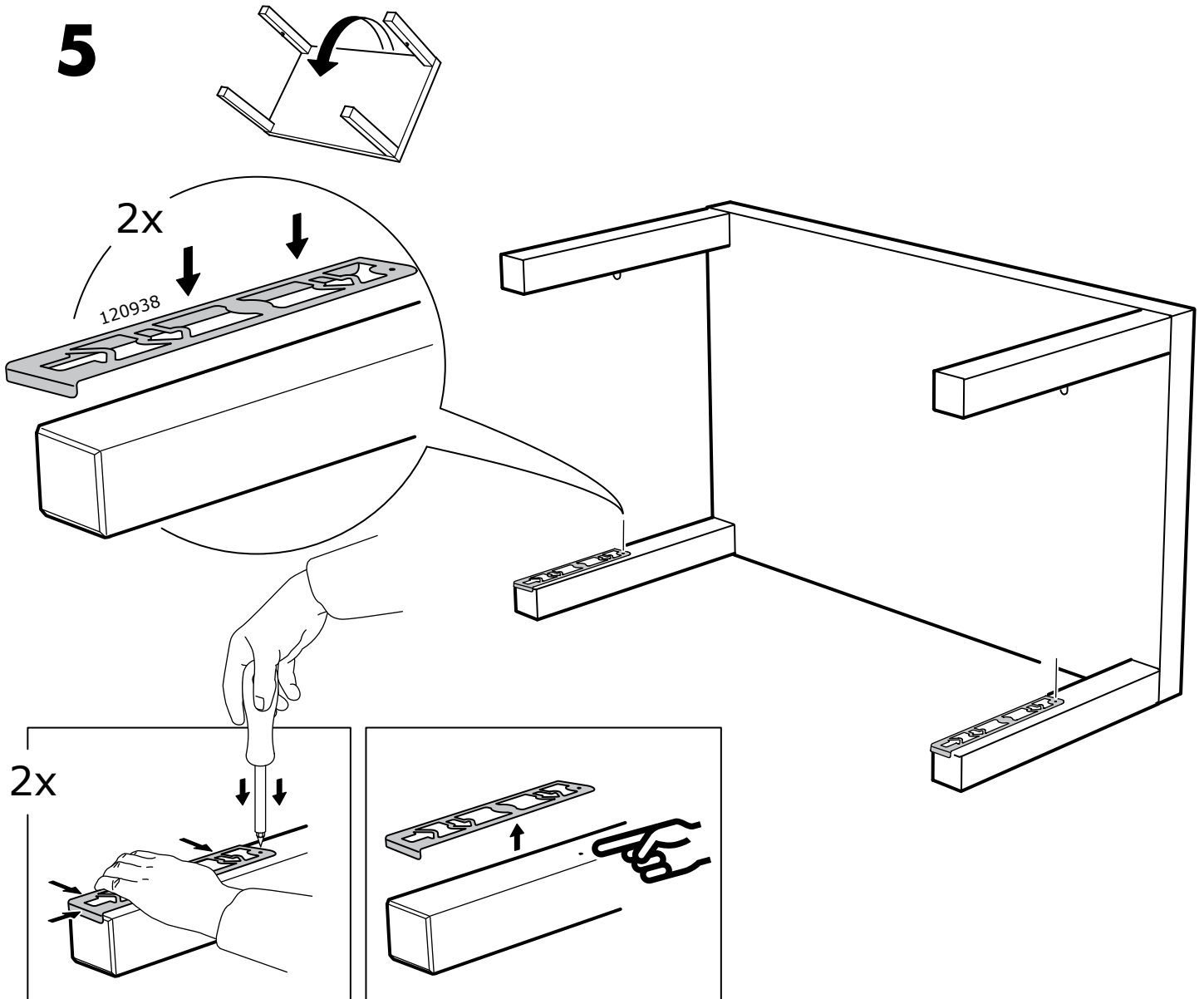
3



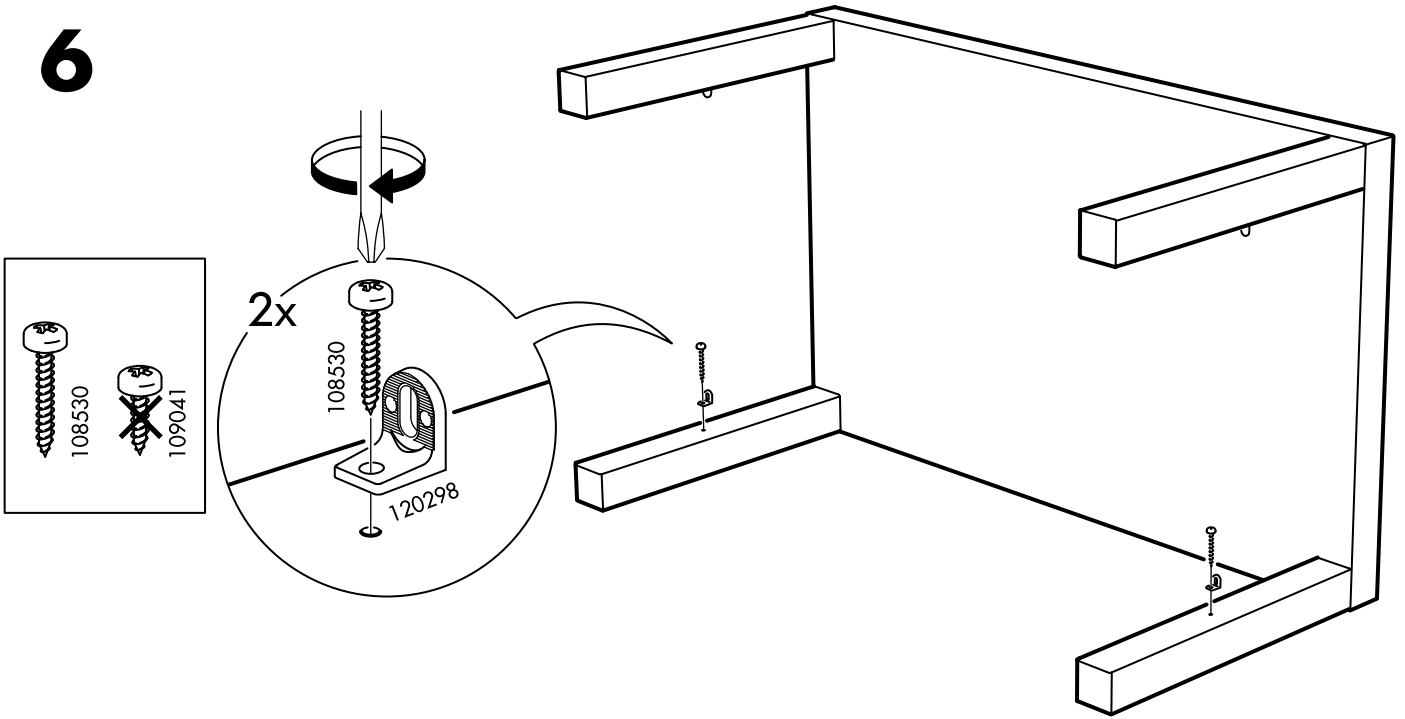
4



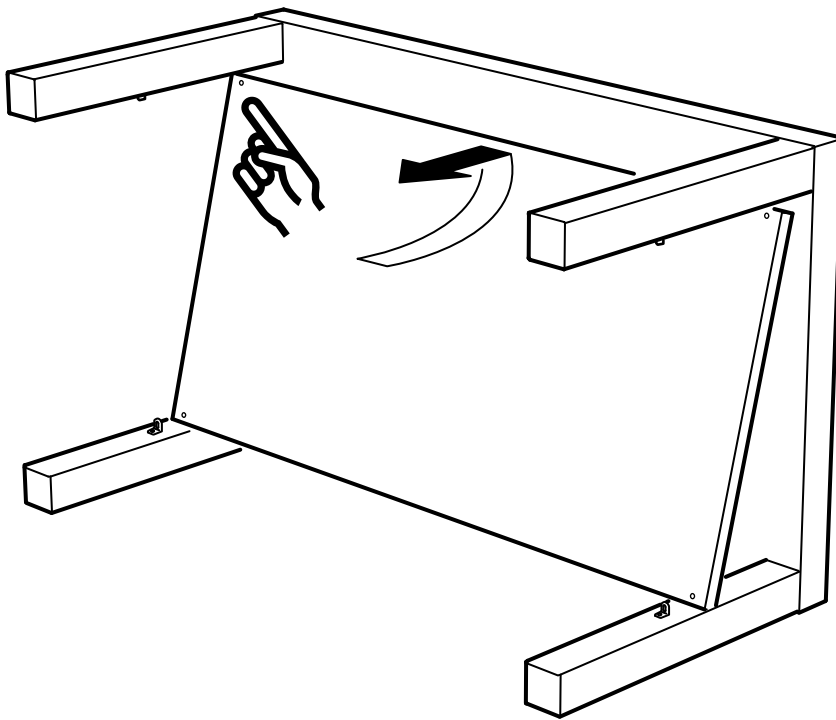
5



6



7



8

