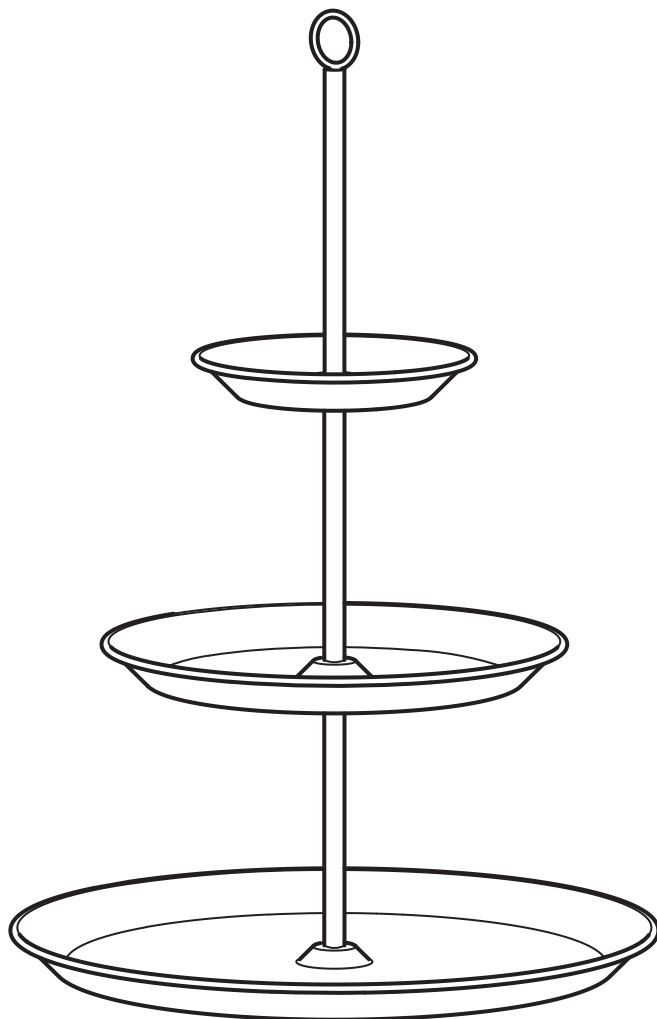
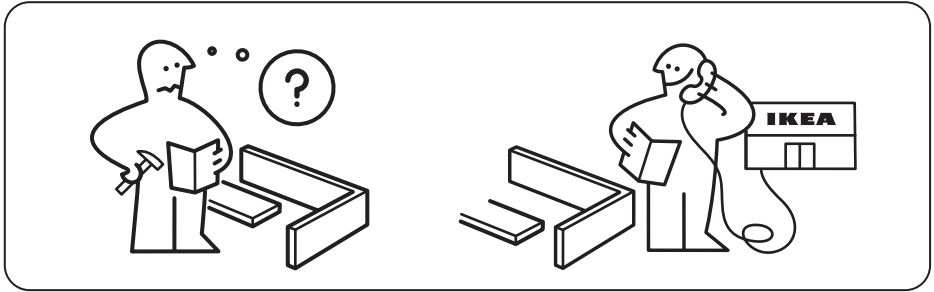
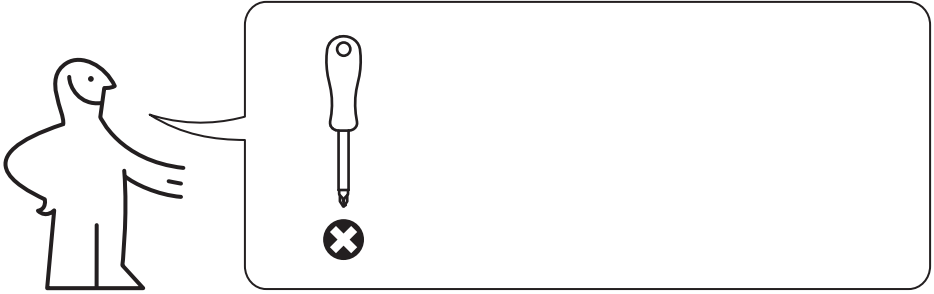


INBRINGANDE

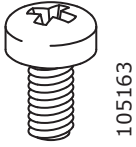


Design and Quality
IKEA of Sweden

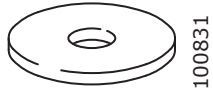




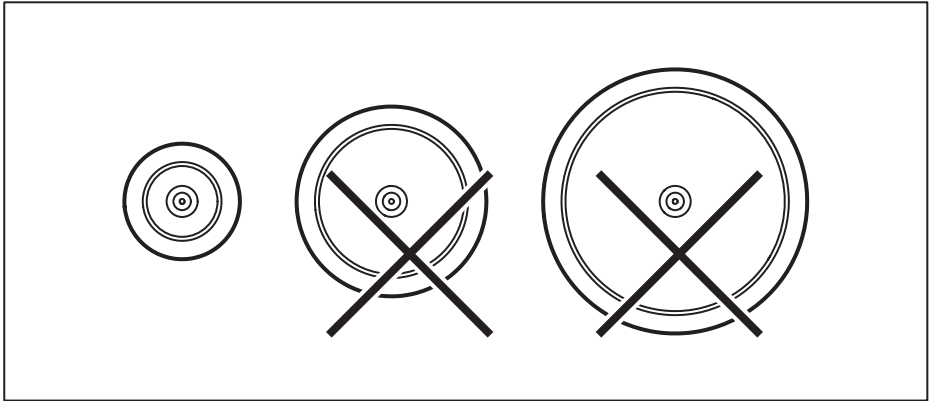
2x



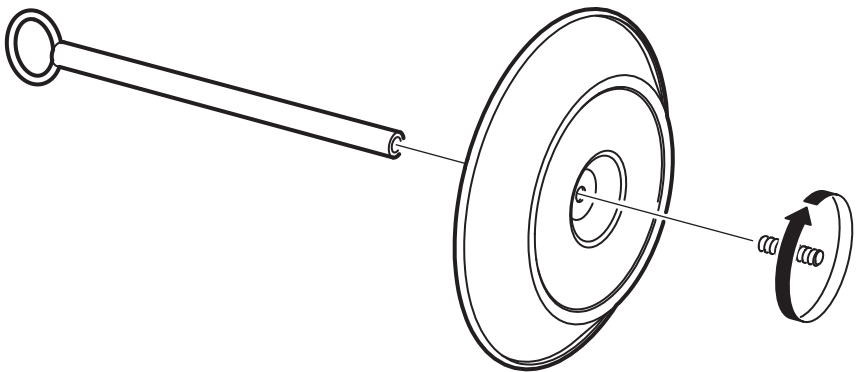
1x



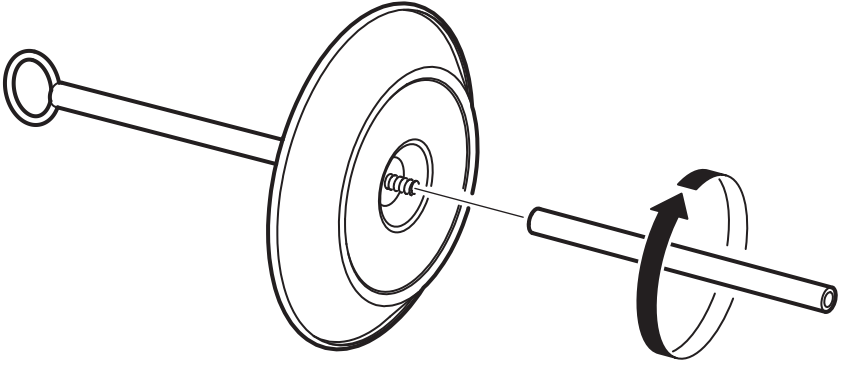
1x



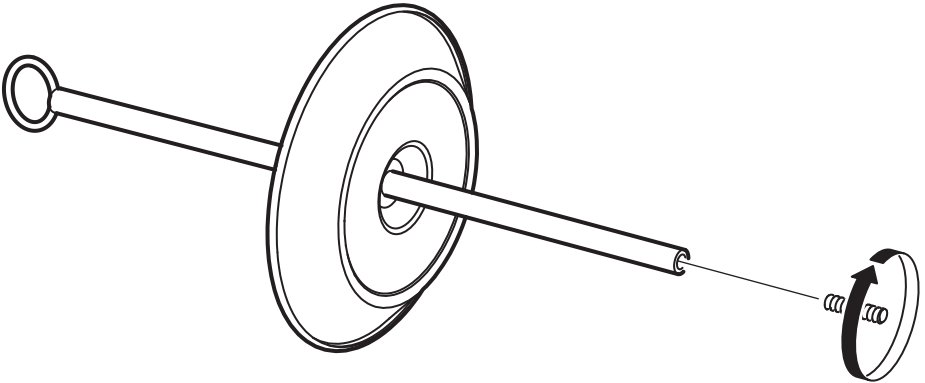
1

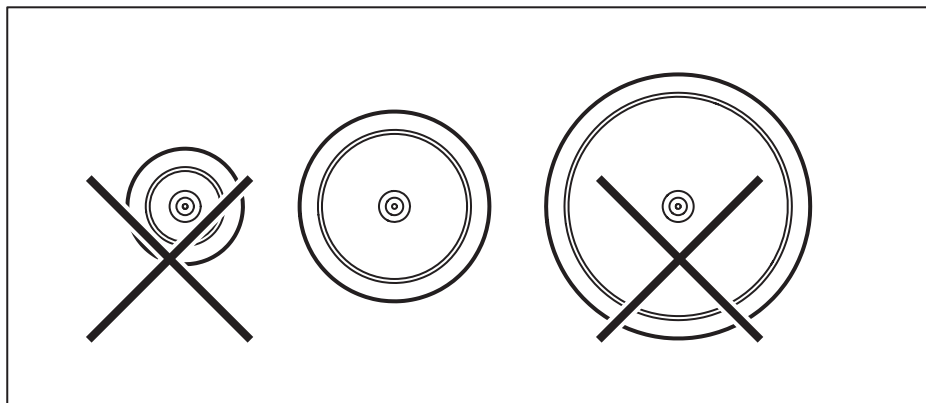


2

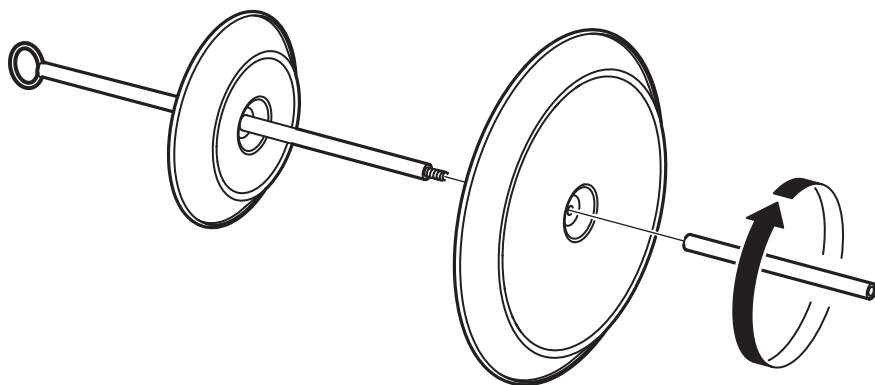


3





4



5

